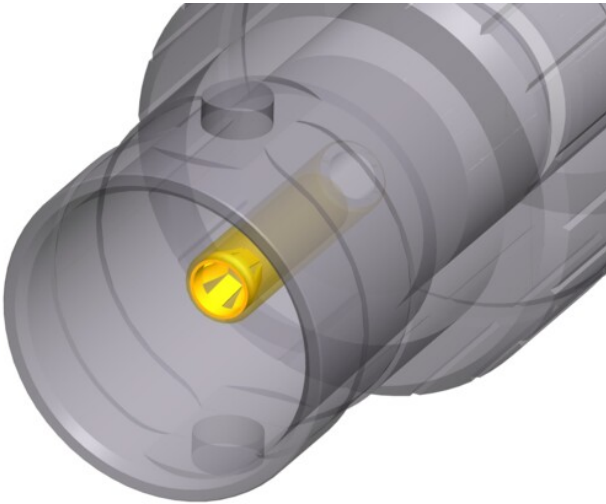




## NBB75DFG

Grounded BNC chassis connector, feedthrough in nickel D-shape housing

Neutrik's BNC chassis connectors offer a true 75  $\Omega$  design for serial and digital (HD) signals. The machined brass connector body provides an extremely rugged and non-abrasive connection over long term use and is in addition recessed and therefore well protected in a D-shape housing (audio industry standard).

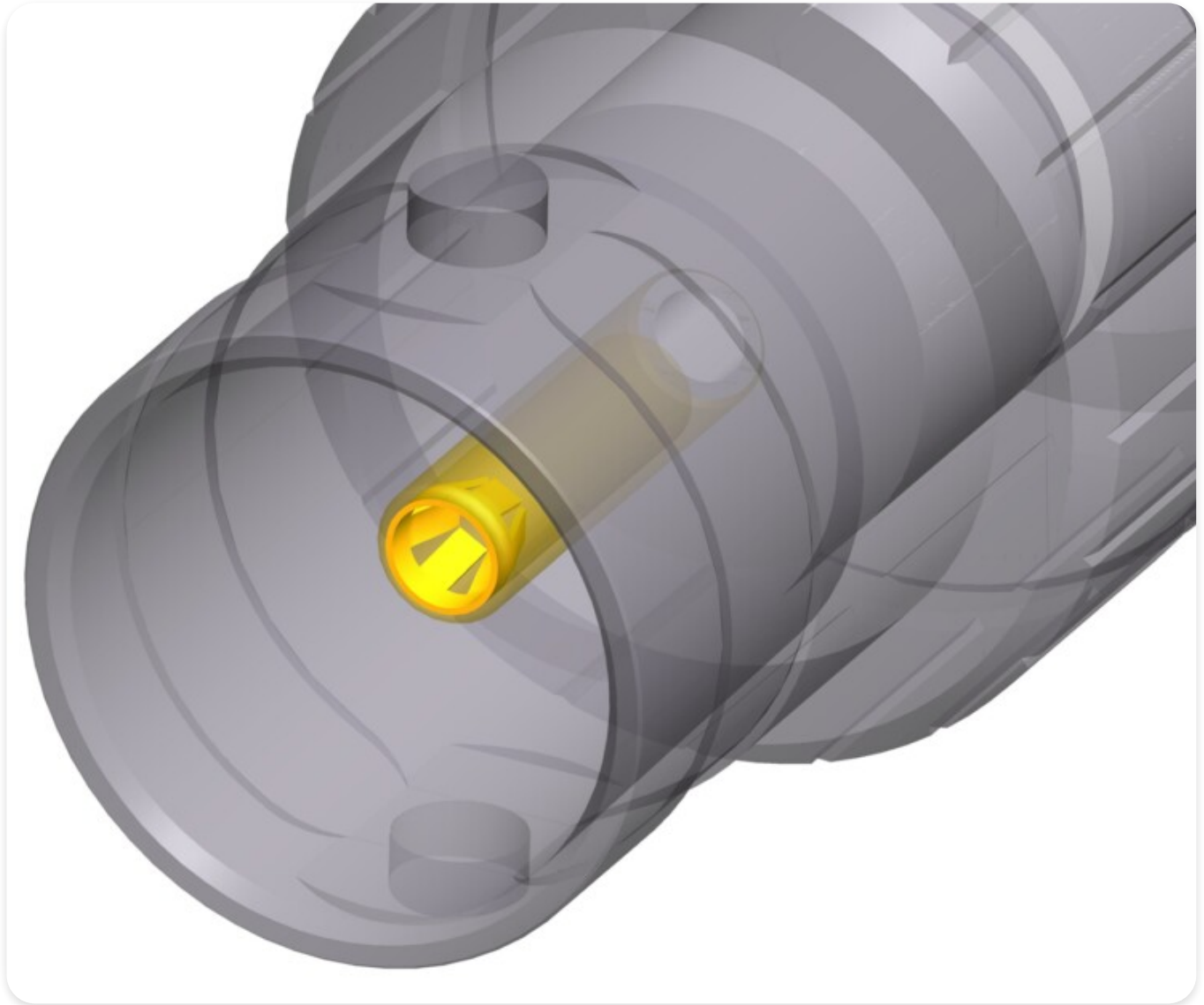


## Features & Benefits

- ✓ Gold plated cage type center contact
- ✓ True 75  $\Omega$  design meets the stringent HD requirements
- ✓ Grounded panel mount
- ✓ Standard D-shape housing - provides flush mounting and protection from damage
- ✓ Color coding possible

## New cage type contact

- ✓ Closed contact design - extremely robust
- ✓ Gold plated cage type clip - best possible shielding and lowest contact resistance



## Technical Information

Product	
Title	NBB75DFG
Connection Type	BNC 75 $\Omega$
Gender	female

<b>Electrical</b>	
Signal Type	HD, SDI, Video, AES/EBU, Composit, YUV, RGB, RGBH, RGBHV
Contact resistance	≤ 3 mΩ (inner)
Contact resistance	≤ 2 mΩ (outer)
Dielectric strength	1,5 kVdc
Impedance	75 Ω
Insulation resistance	> 5 GΩ
Rated voltage	<50 V
VSWR	≤1.03/>37 dB up to 1 GHz ≤1.05/>32 dB up to 2 GHz ≤1.08/>28 dB up to 3 Ghz

<b>Mechanical</b>	
Insertion force	< 25 N
Lifetime	> 1000 mating cycles
Wiresize	
Locking device	Bayonett
Mounting direction	Front mounting
Chassis shape	D

Material	
Contacts	Brass (CuZn39Pb3), 0.2 µm AuCo (Center contact)
Insert	PTFE
Shell	Polyacetal (POM) (Insulation Sheel)
Shell plating	Optalloy®
D-Shape housing	Zinc diecast (ZnAl4Cu1) gal Ni plating

Environmental	
Temperature range	-30 °C to +85 °C