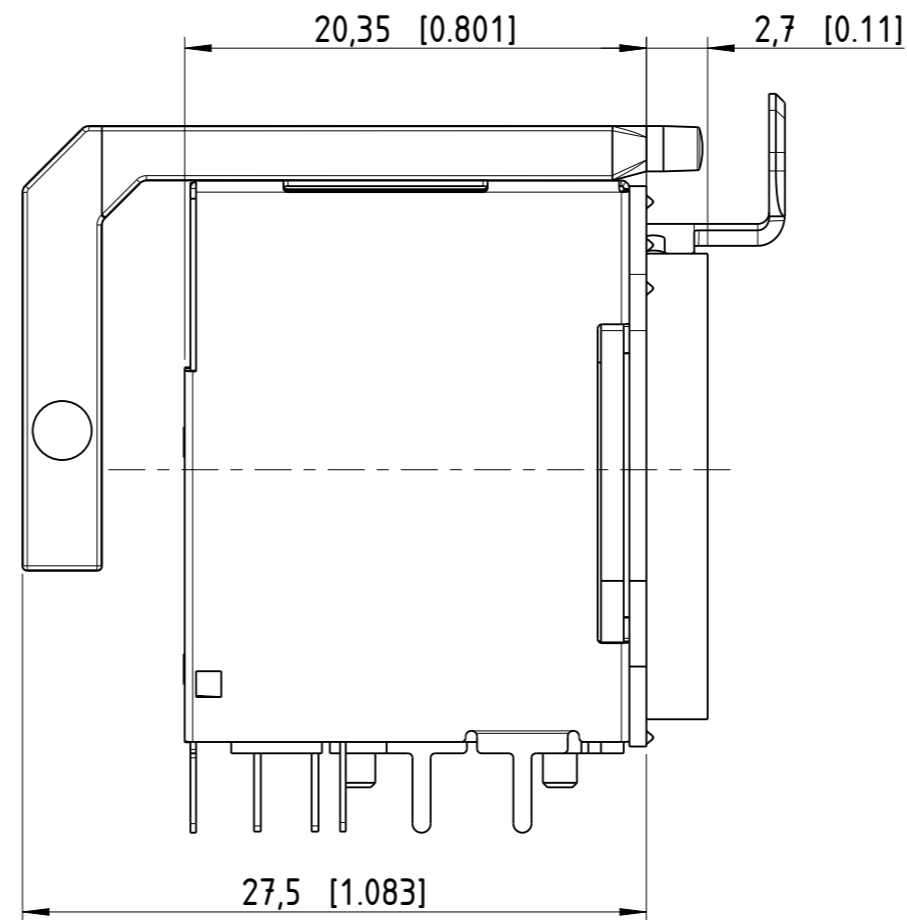
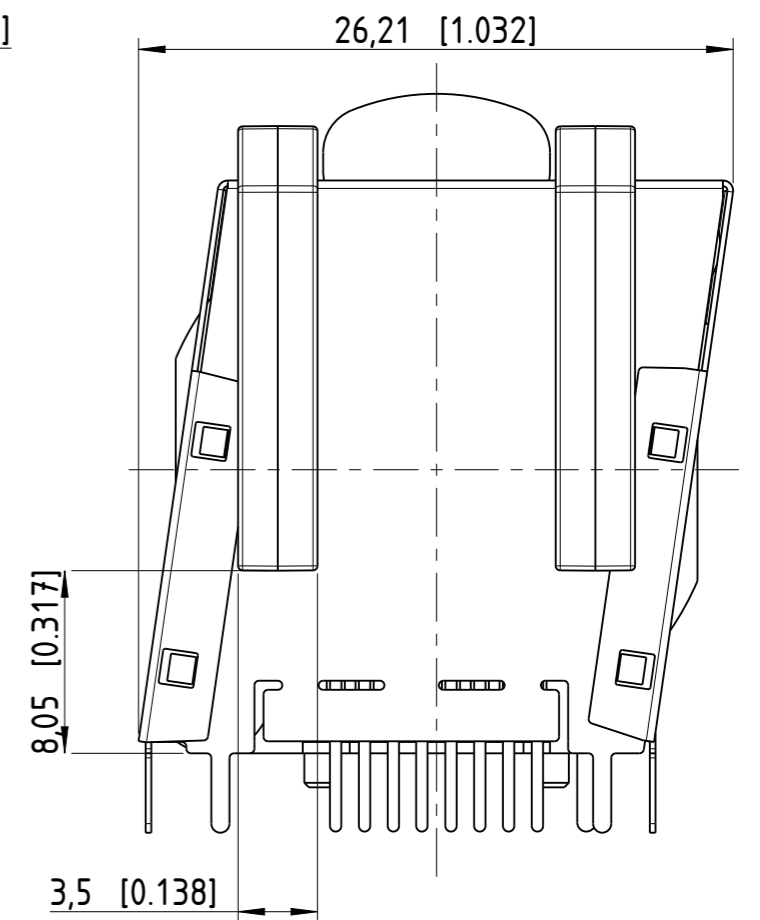


Print Bohrplan Bestückungsseite
PCB-Layout (component side)

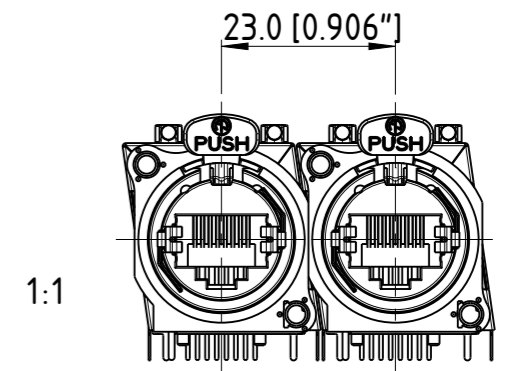
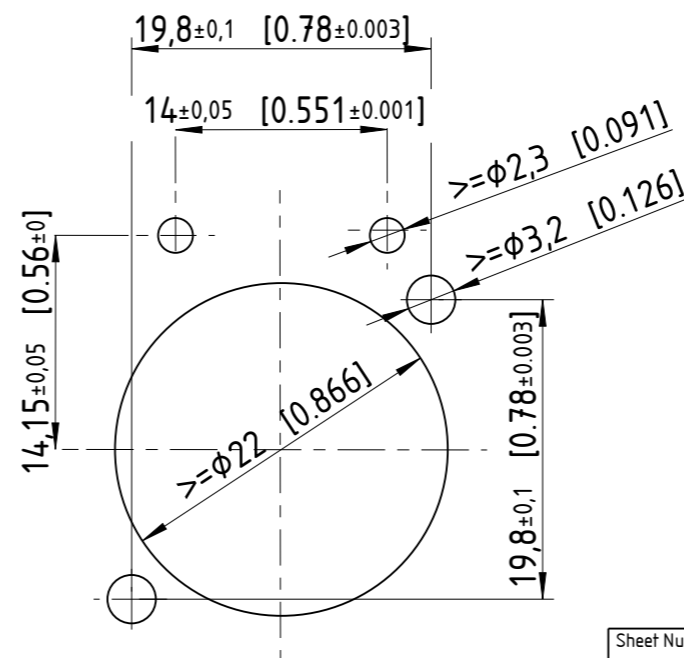
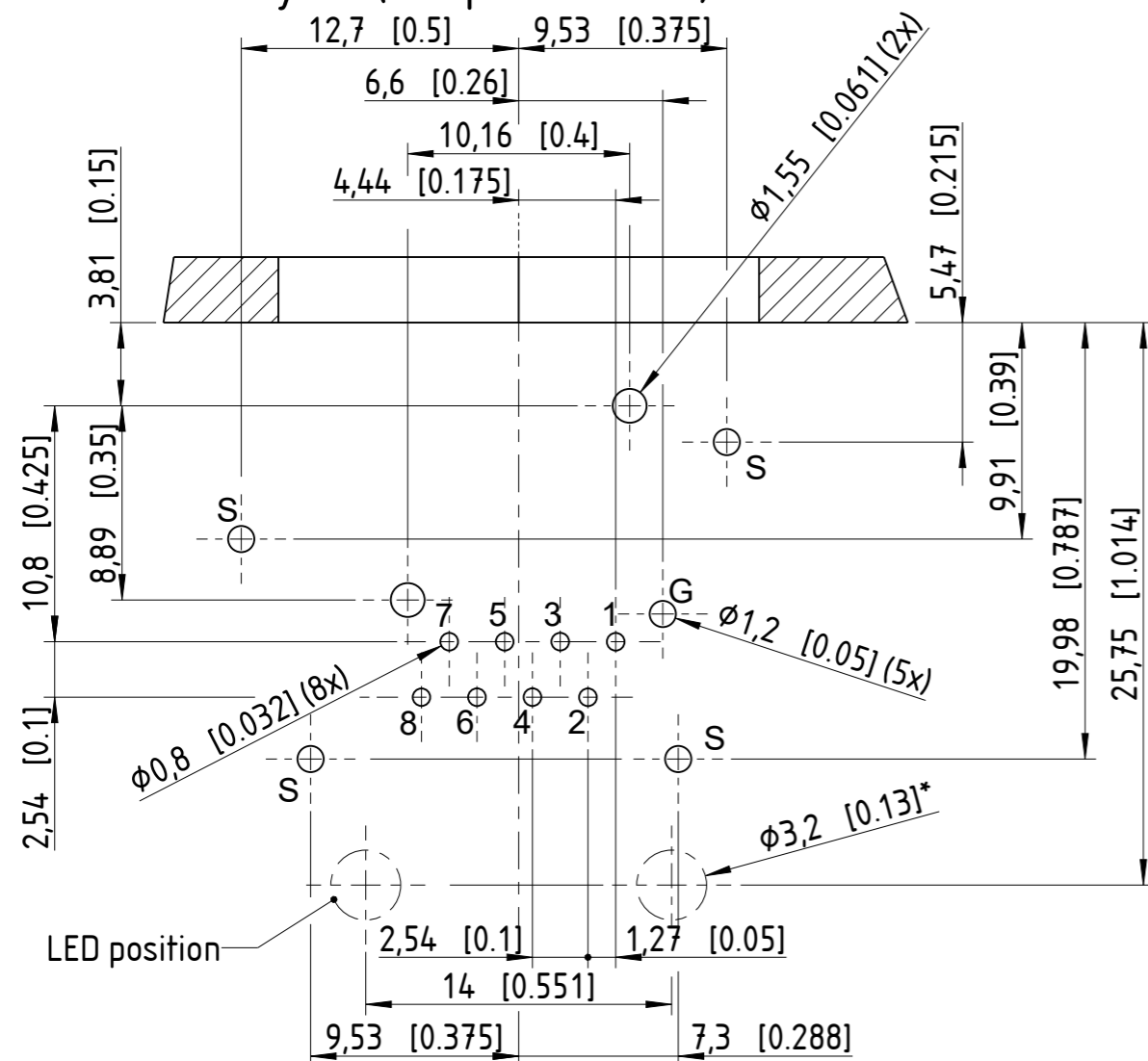


Frontplattenausschnitt (Rückseite)
Panel cut out (rear side)

M 2:1



min. Einbauabstand
min. assembling distance



* max. diameter of LED in lightpipe
max. LED-Durchmesser im Lichtrohr

Sheet Number 1/1	Projection 	Scale 3:1	Format A3	General Tolerancing ISO 2768 mK	
Description	Created on/by	10.01.2005	Dobler O.		
NE8FBH-LED	Approved on/by	25.03.2025	Schmiedl T.		
	Article ID	Model ID	Drawing ID		
Status	Revision	ECN Number	20000853		
Released	B	-	Neutrik Group		