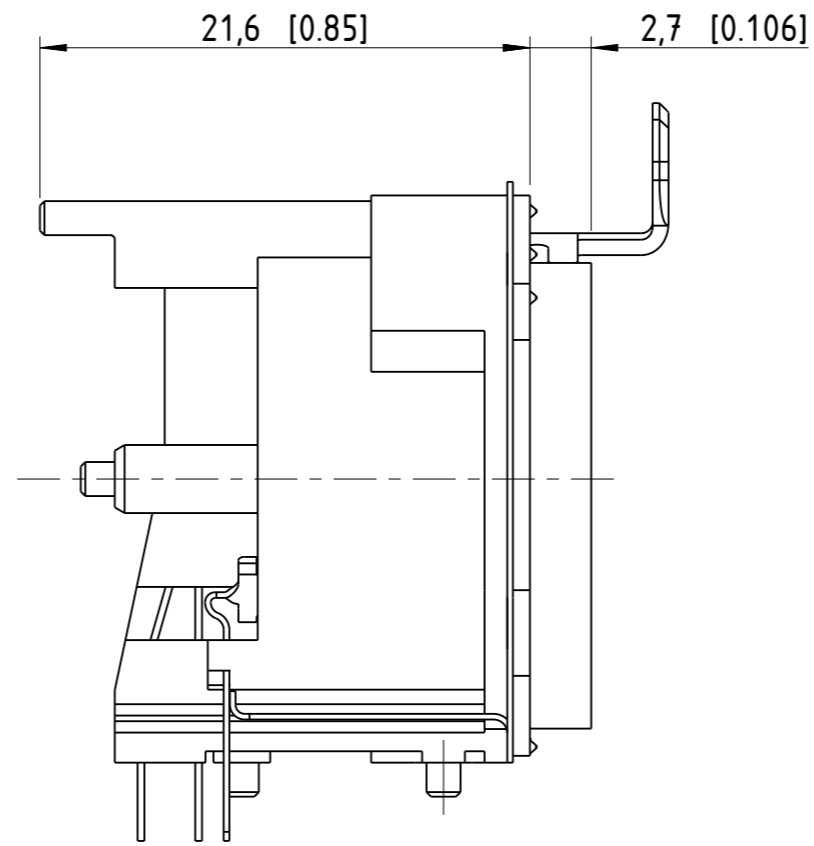
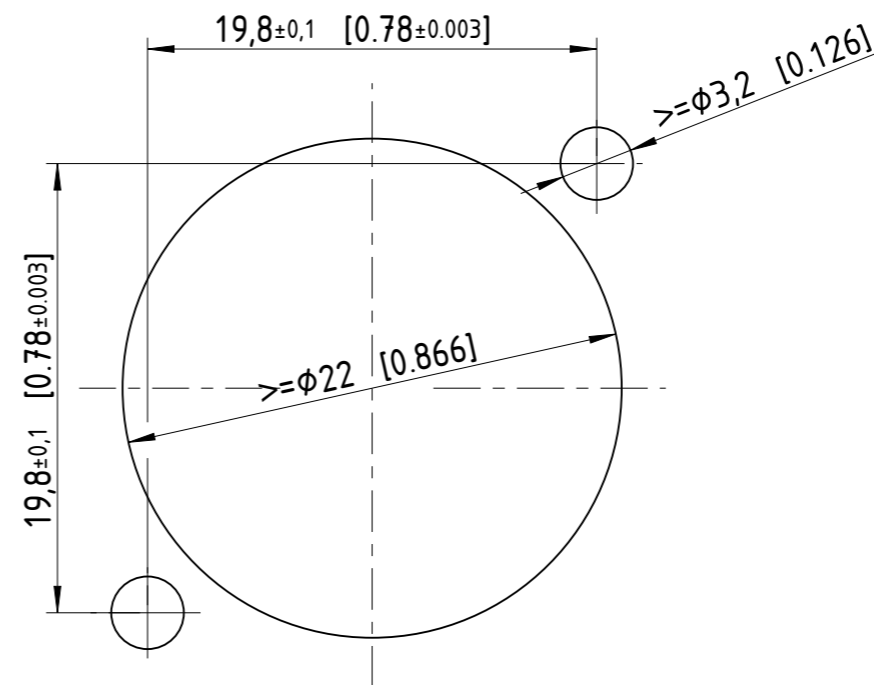
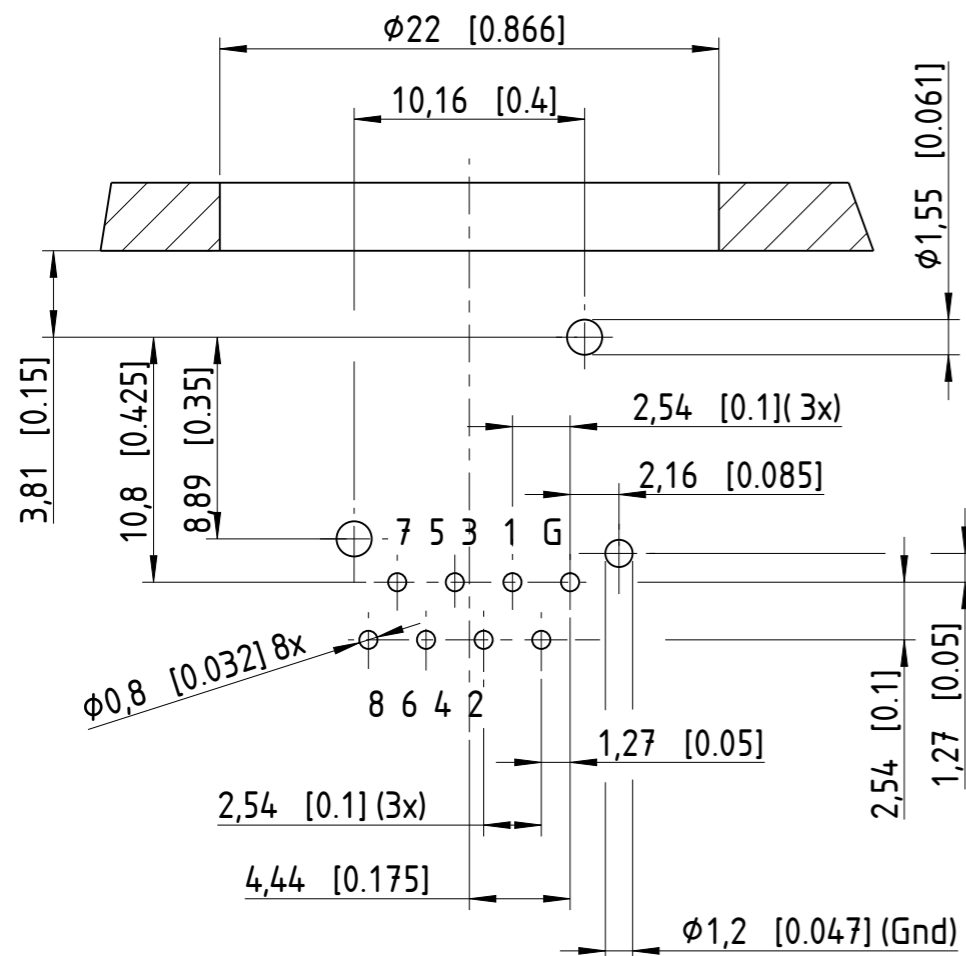
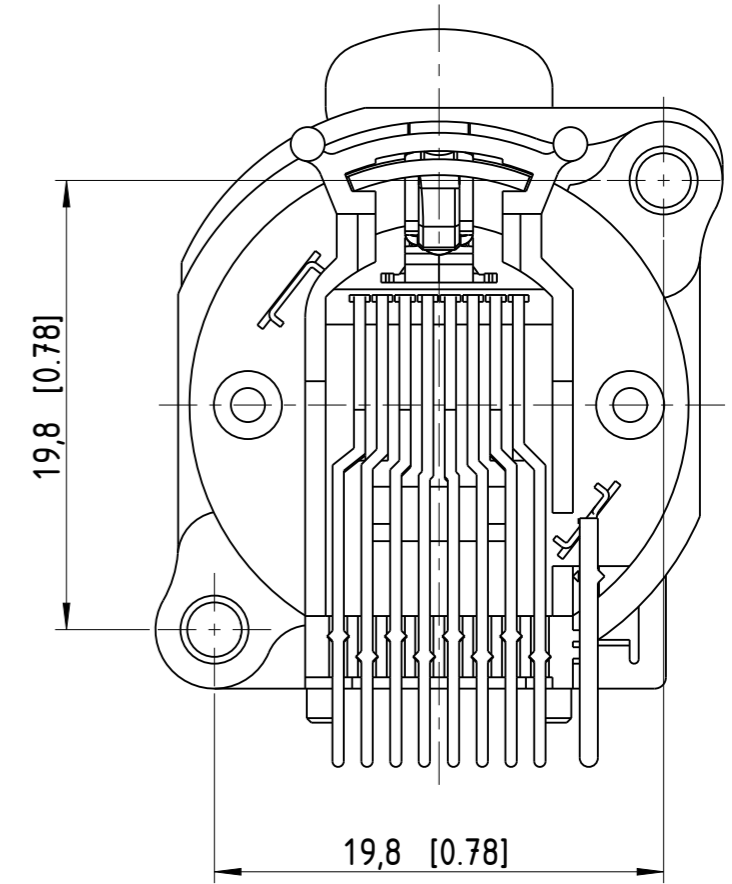


Print Bohrplan Bestückungsseite
PCB-Layout (component side)



Frontplattenausschnitt (Rückseite)
Panel cut out (rear side)



Sheet Number 1/1	Projection 	Scale 3:1	Format A3	General Tolerancing ISO 2768 mK	
Description			Created on/by 18.04.2002	wadmin	
NE8FBH			Approved on/by 13.03.2025	Beck L.	
			Article ID NE8FBH	Model ID 30011674	Drawing ID 20003890
Status Released	Revision -		ECN Number -		Neutrik Group