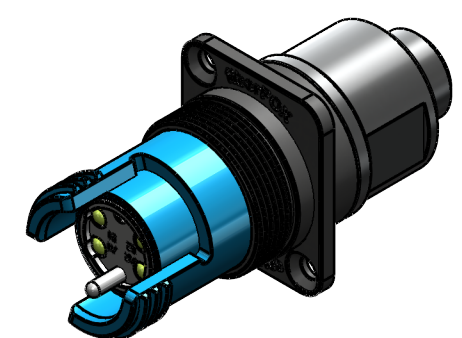
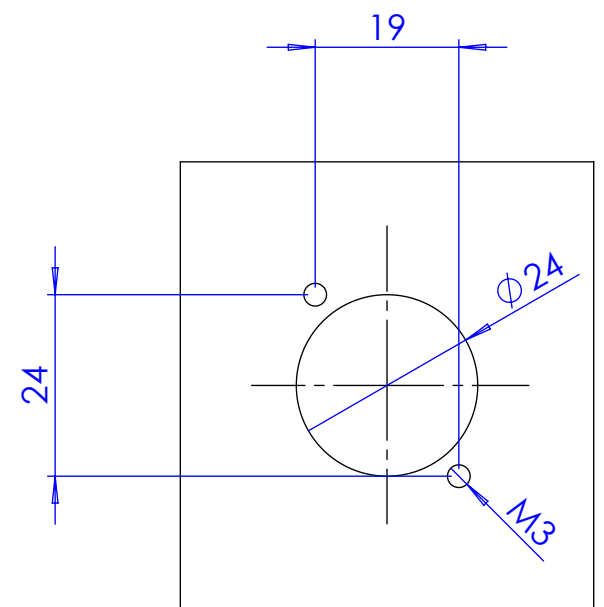


max. sheet thickness 1,5mm with IP68 turned sealing  
 max. sheet thickness 3,5mm without IP68 sealing

drilling pattern from the front



To mount from behind, it is possible to unscrew the case holder.  
 - Important, turn the IP68 Sealing!

|   |                 |                 |              |                          |                |
|---|-----------------|-----------------|--------------|--------------------------|----------------|
| Sheet Number<br>1/1   | Projection<br>  | Scale<br>1:1    | Format<br>A3 | Tolerancing<br>ISO 2768- |                |
| g   | cm <sup>2</sup> | cm <sup>3</sup> | Created      | HeBo                     | 24.11.2023     |
| Material  |                 |                 | Modified     |                          |                |
| Material addition   |                 |                 | Approved     | HeBo                     | 24.11.2023     |
| Description<br>N04SDW-FX-B0<br>FIBERFOX EBC15 SM 4CH chassis breakout |                 |                 | ECN Number   |                          |                |
|   |                 |                 | Status       |                          |                |
| NEUTRIK   |                 | 3D Model ID     | Document ID  |                          | Revision<br>01 |