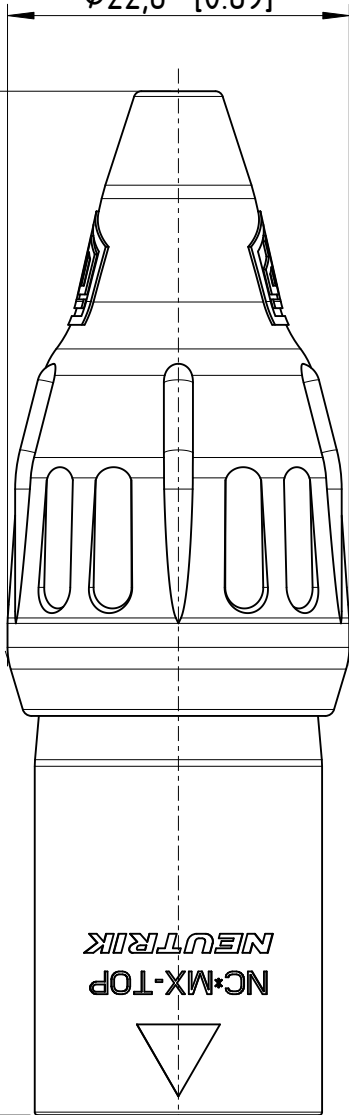


1:1

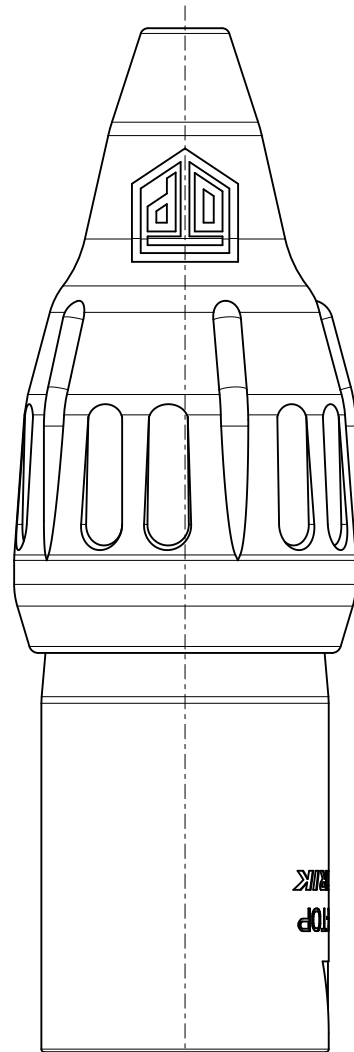
$\phi 22,6$ [0.89]

$67,7 \pm 1$ [2.665 \pm 0.039]



NEUTRIK
NC3MX-TOP

$\phi 19$ [0.748]



Sheet Number 1/1	Projection 	Scale 2:1	Format A4	General Tolerancing ISO 2768 mK	
Description NC3MX-TOP			Created on/by	24.05.2018	Zechmann K.
			Approved on/by	23.11.2022	Schuster R.
Status Released			Article ID	Model ID	Drawing ID
				30010123	20001945
			Revision	ECN Number	Neutrik Group
			-	-	