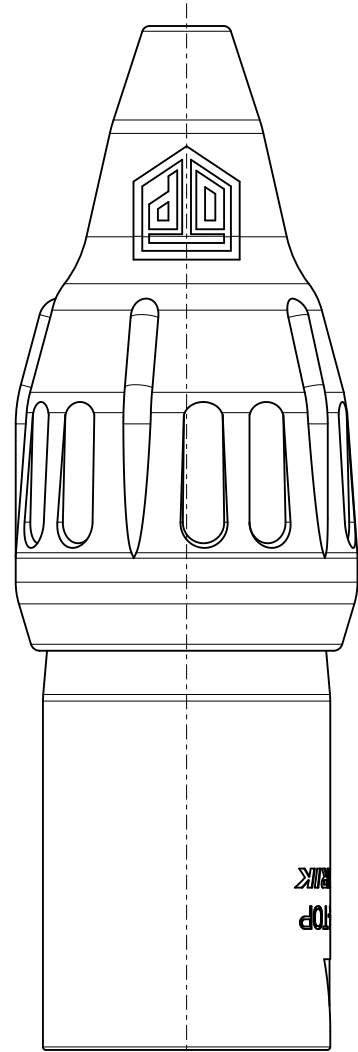
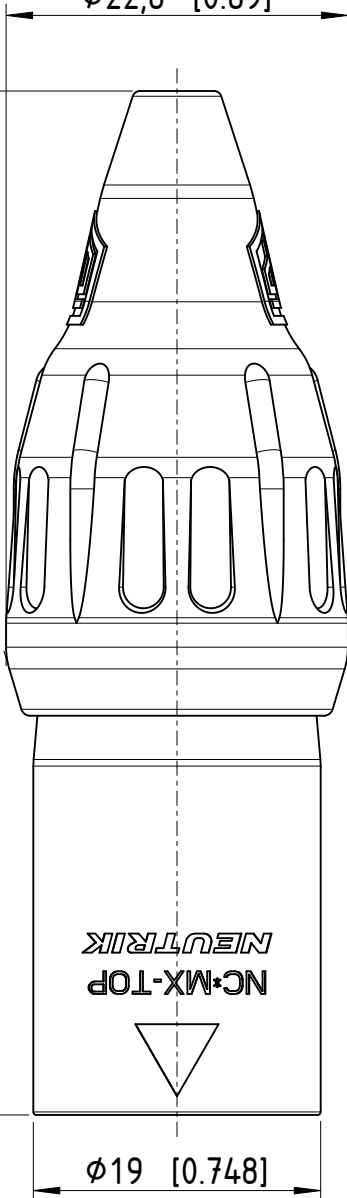


1:1

$\phi 22,6$  [0.89]

$67,7 \pm 1$  [2.665  $\pm$  0.039]



Sheet Number 1/1	Projection 	Scale 2:1	Format A4	General Tolerancing ISO 2768 mK	
Description NC5MX-TOP			Created on/by	03.07.2018	Zechmann K.
			Approved on/by	11.11.2022	Karlinger P.
Status Released			Article ID	Model ID	Drawing ID
				30010084	20001956
			Revision	ECN Number	<b>Neutrik Group</b>
			-	-	