



# ASSEMBLY INSTRUCTION

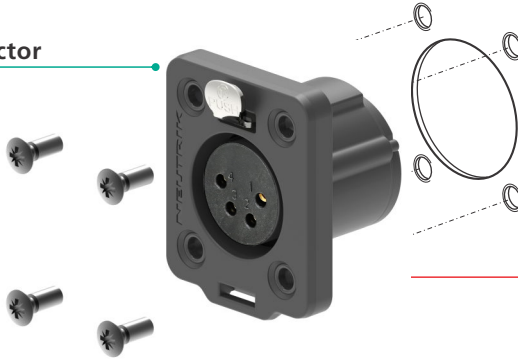
## XLR Chassis TOP | NC4FDX-TOP with SCFDX-TOP NC4MDX-TOP with SCMDX-TOP

IP65 RATED

### 1 Connector installation

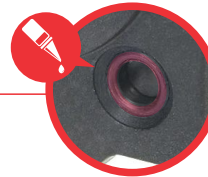
Any TOP XLR chassis connector

4x Screws



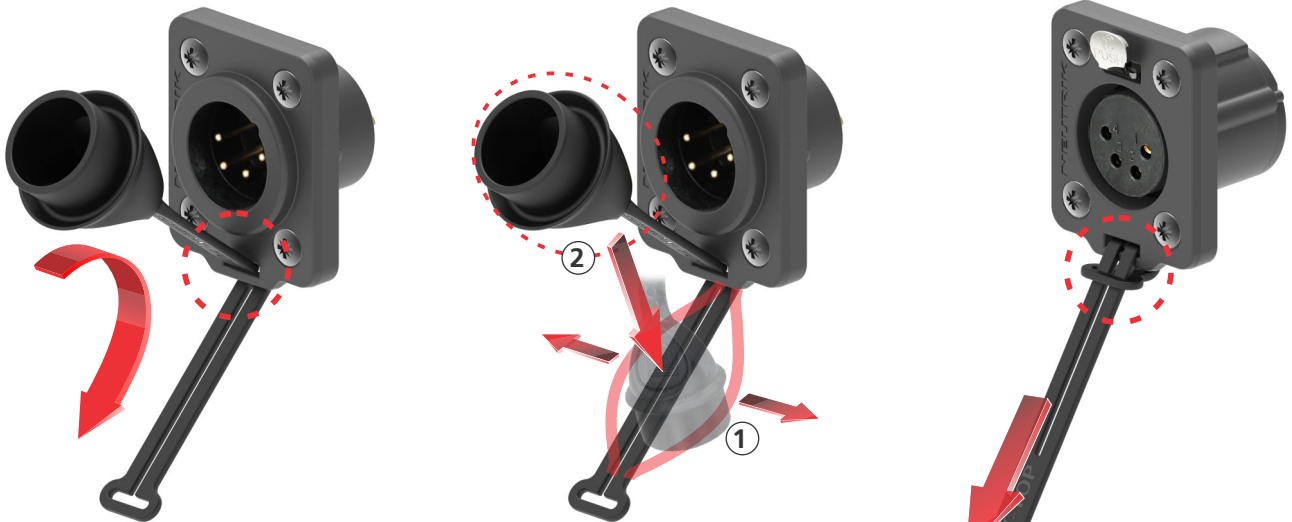
**ATTENTION:**  
Tightening torque  
MA = 40 Ncm

Equipment / Panel



Lubricate O-Gasket with silicon on all 4 screw holes.

### 2 Mount the sealing cover

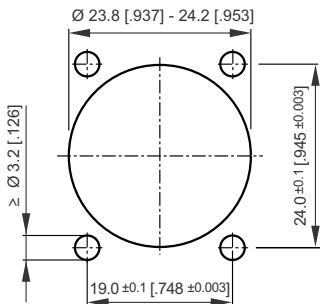


**A** Insert the ribbon through the dedicated slot.

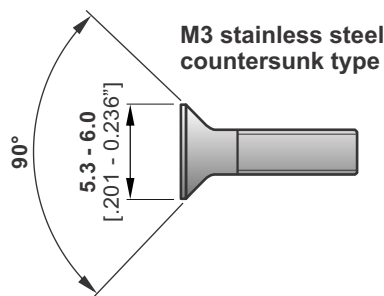
**B** (1) Split the ribbon and (2) put through the cover.

**C** Tighten the ribbon

### 3 Panel Cutout (Rear Side)



### 4 Recommended screw



Find more details of XLR Chassis on [www.neutrik.com](http://www.neutrik.com).



Neutrik AG	LI	T: +423 / 237 24 24	F: +423/232 53 93	Neutrik France	FR	T: +33 1/4131 6750	F: +33 1/4131 0511
Neutrik USA Inc.	USA	T: +1 704 / 972 3050	F: +1 704/438 9202	Neutrik Tokyo Ltd.	JP	T: +81 3/3663 4733	F: +81 3/3663 4796
Neutrik (UK) Ltd.	UK	T: +44 1983 / 811 441	F: +44 1983/811 439	Neutrik Hong Kong Ltd.	HK	T: +852/2687 6055	F: +852/2687 6052
Neutrik Vertriebs GmbH	DE/NL/AT/DK	T: +49 8131 / 280 890	F: +49 8131/280 830				

Draft. Nr.: BDA 631 V1 | Update: 31.08.2021 | Data subject to change without prior notice. © 2021 NEUTRIK®, NEUTRIK® are registered trademark of Neutrik AG. ALL RIGHTS RESERVED.