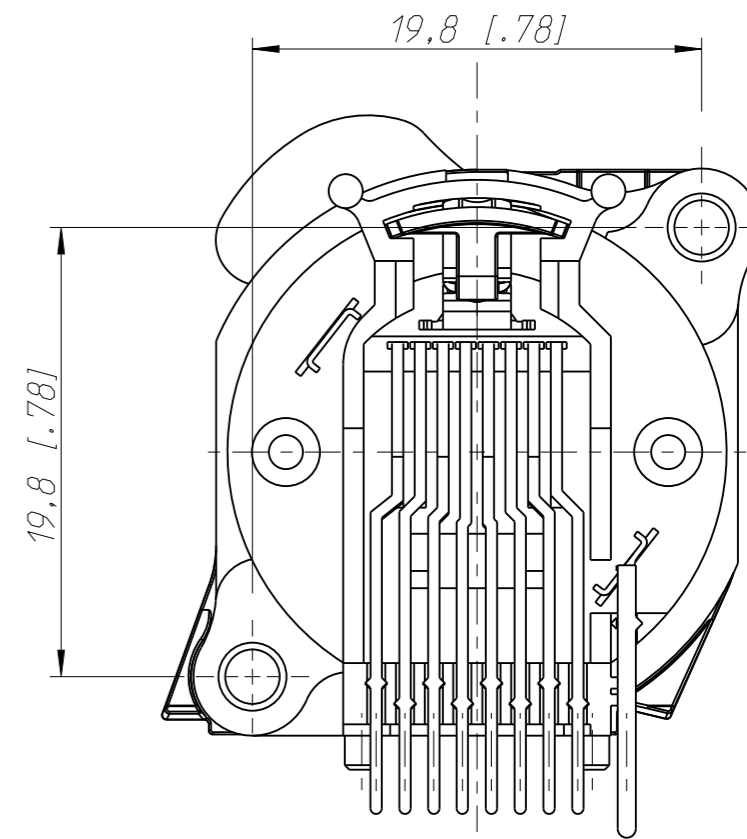
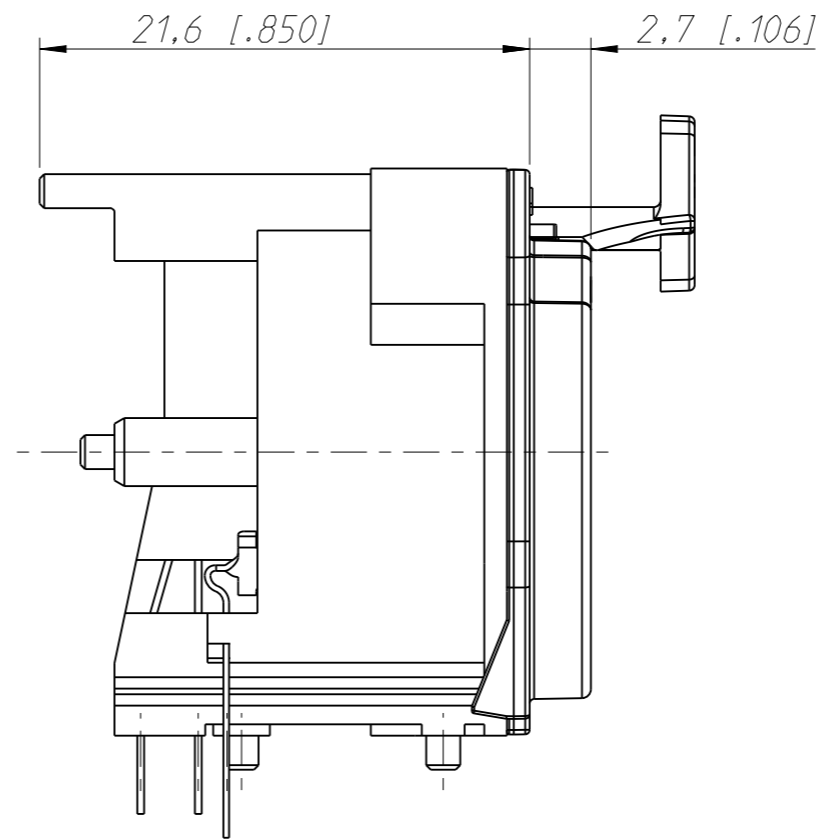
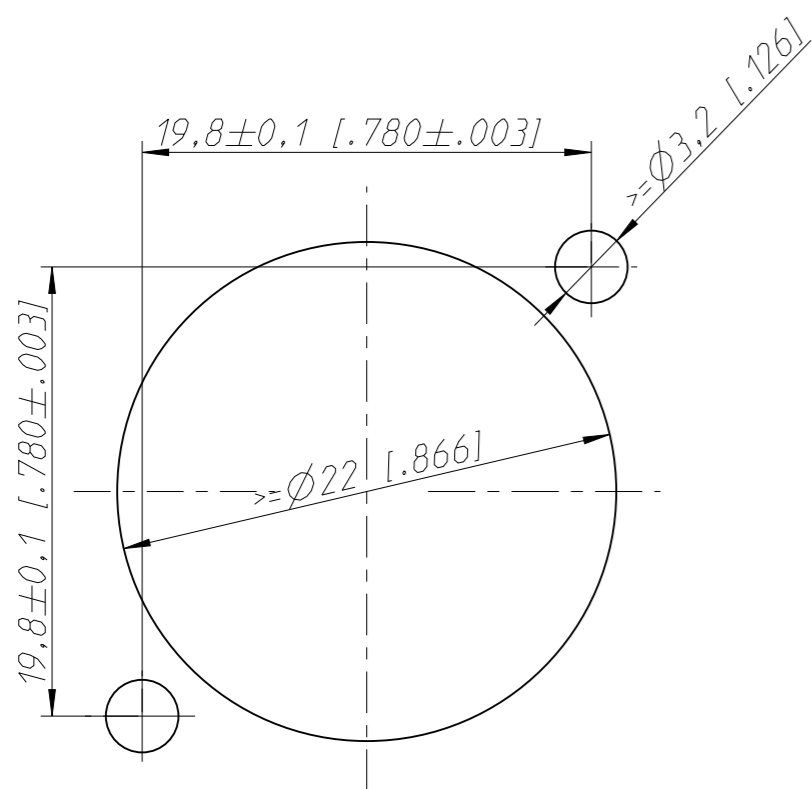


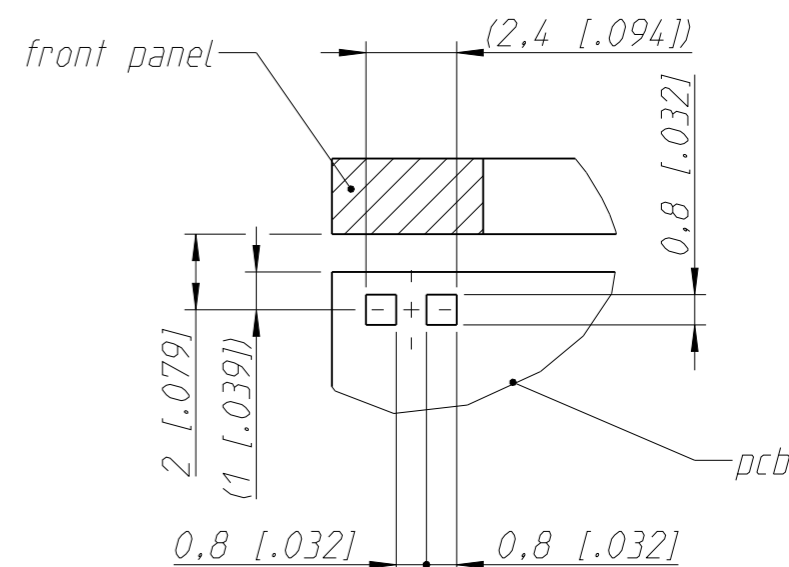
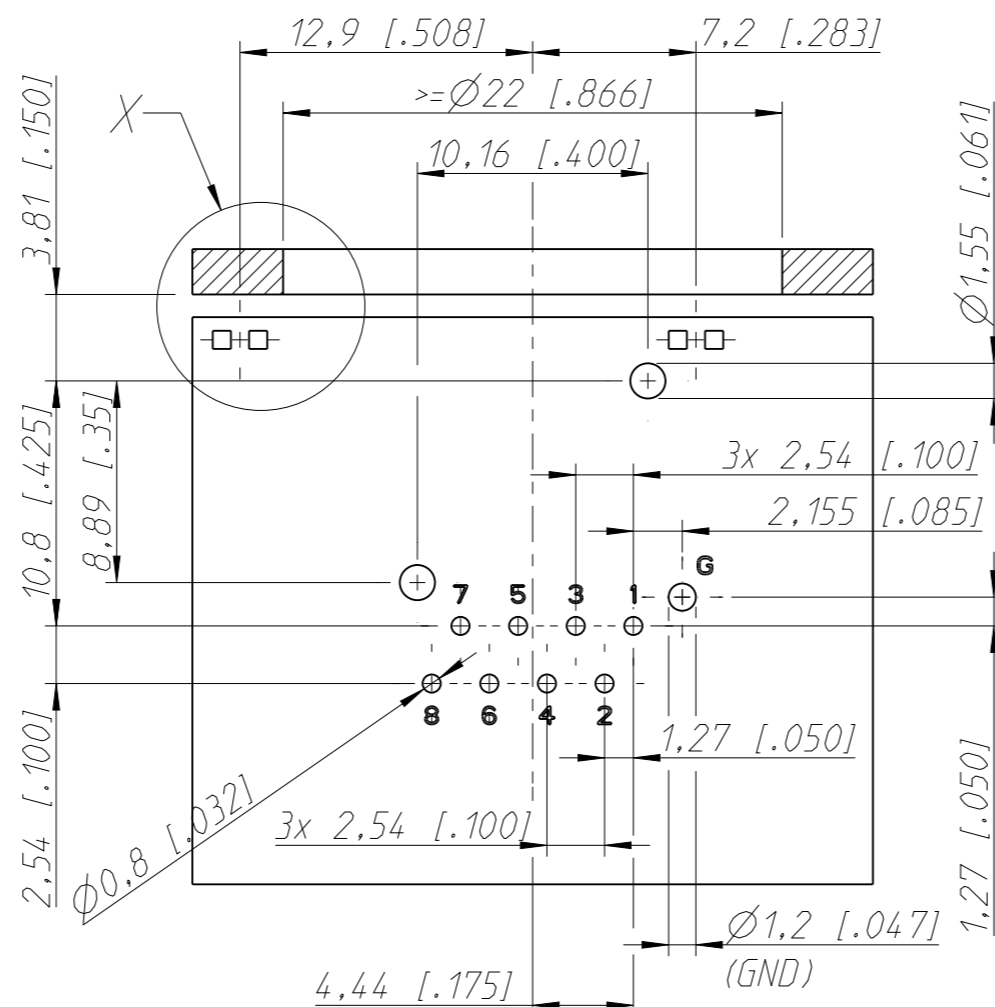
Panel cut out (rear side)



Detail X LED size: 0603 (max height: 0.8mm)
5:1 Recommended solder pad layout:



PCB-Layout (component side)



Sheet Number 1/1	Projection 	Scale 3:1	Format A3	Tolerancing ISO 2768-mK	
ECN Number -			Created	28.07.2021	sfr
Description ST-NE8FAH-LR-DAE			Modified	n.a.	n.a.
			Approved	19.11.2021	phk
			Status	Released	
NEUTRIK	3D Model ID 30009006	Document ID 20003562	Revision		-