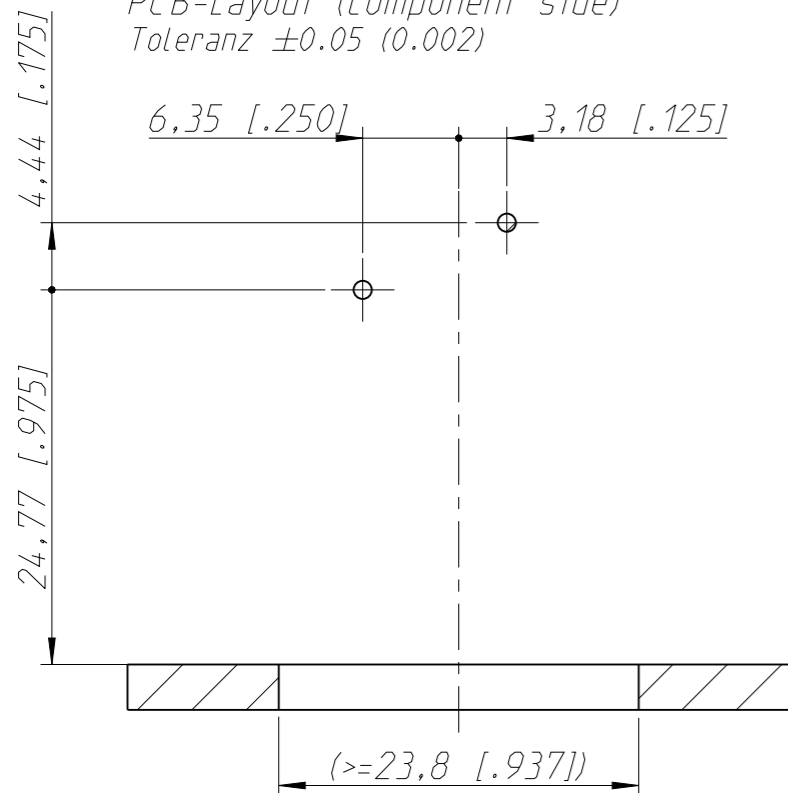
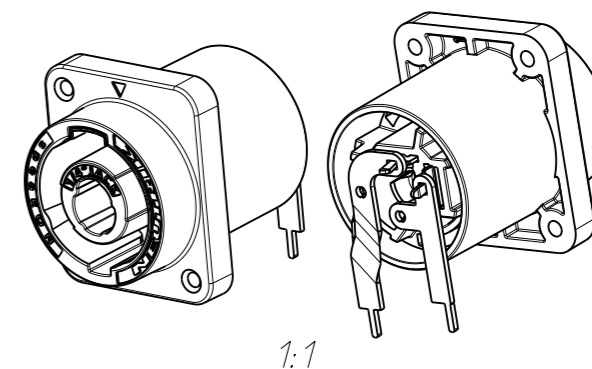
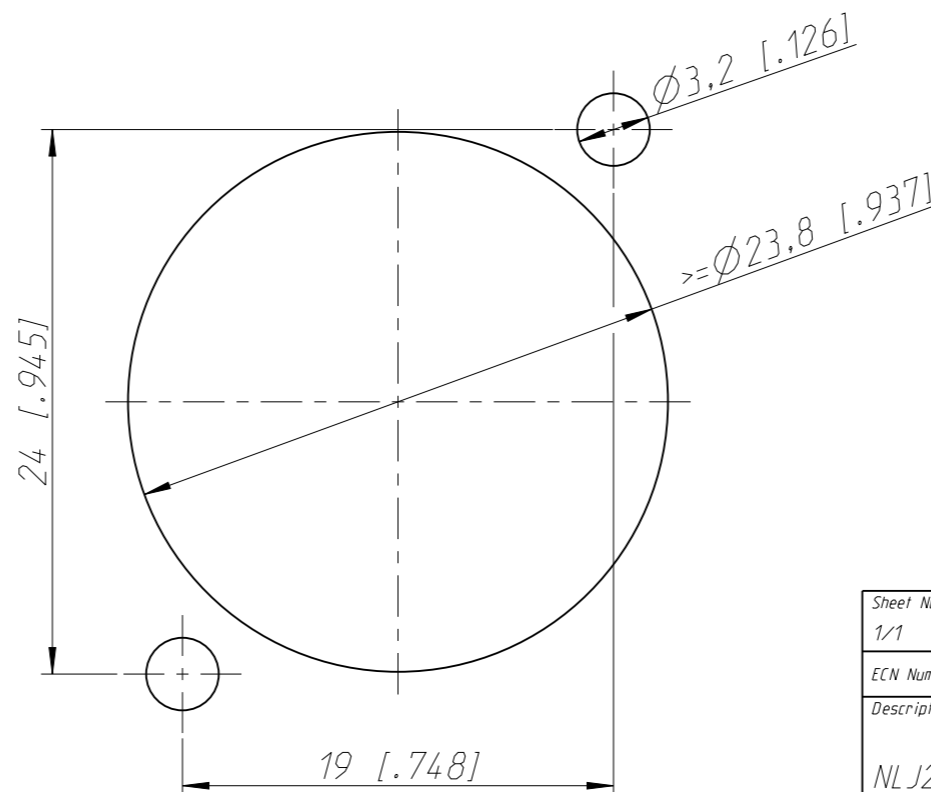


Leiterplatten Bohrplan Bestueckungsseite
PCB-Layout (component side)
Toleranz ± 0.05 (0.002)



Frontplattenausschnitt Rueckseite
Panel cut out (rear side)



Sheet Number 1/1	Projection 	Scale 2:1	Format A3	Tolerancing ISO 2768-mK	
ECN Number -		Created 10.07.2020	ssh		
Description NLJ2MDXX-H			Modified 09.10.2020	ssh	
			Approved 23.09.2021	sfr	
			Status Released		
NEUTRIK		3D Model ID 30009156	Document ID 20003602	Revision A	