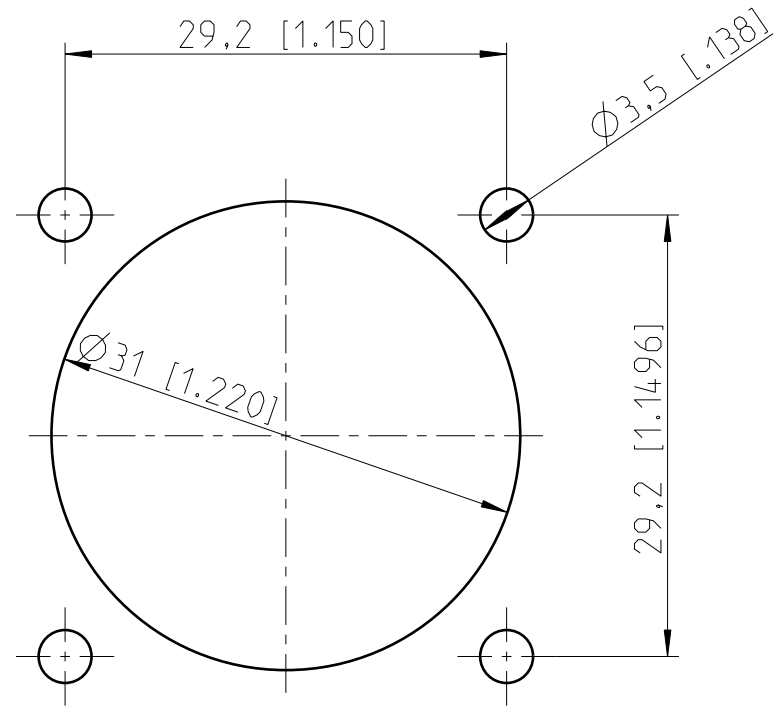


Panel Cut Out



Sheet Number 1/1	Projection 	Scale 2:1	Format A3	Tolerancing ISO 2768-mK	
ECN Number		Created 28.10.2020	sfr		
Description ST-NL4FPXX			Modified	n.a.	n.a.
			Approved		
			Status		
NEUTRIK		3D Model ID NL4FPXX	Document ID NL4FPXX		Revision -