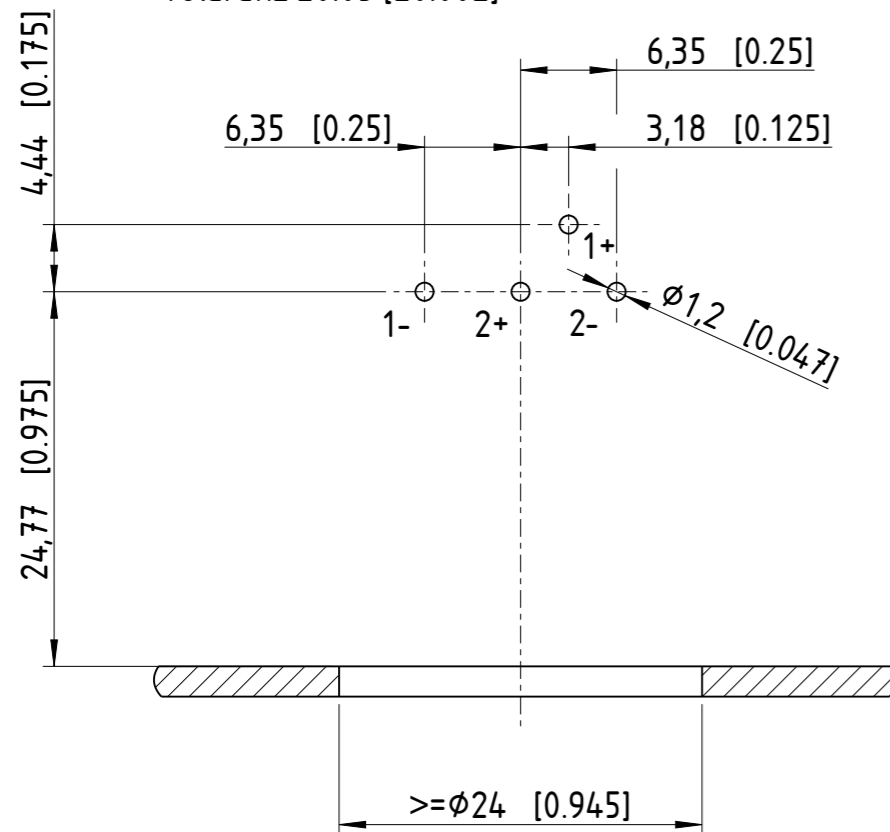
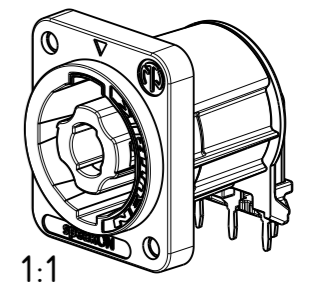
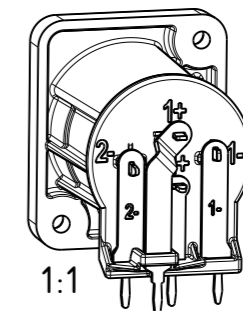
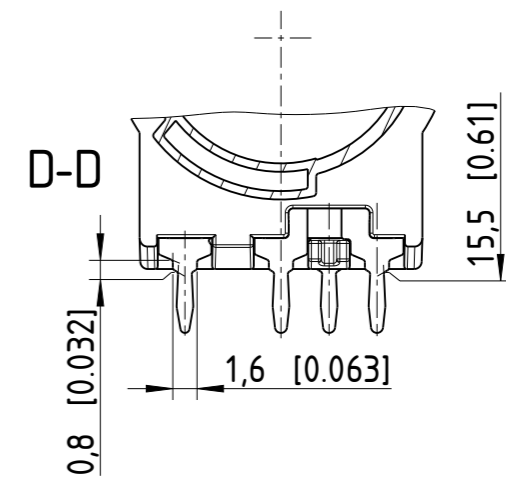
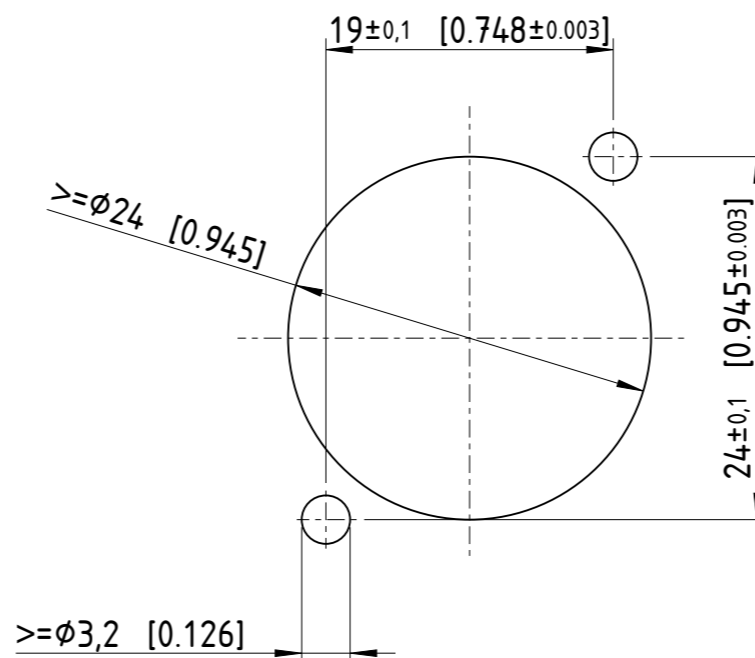


Leiterplatten Bohrplan Bestückungsseite
PCB-Layout (component side)
Toleranz ± 0.05 [± 0.002]



Frontplattenausschnitt Rückseite
panel cutout rearside



Sheet Number 1/1	Projection 	Scale 2:1	Format A3	General Tolerancing ISO 2768 mK	
Description			Created on/by	17.05.2019	Hofmann T.
NL4MDXX-H-3			Approved on/by	20.06.2023	Feurle E.
			Article ID NL4MDXX-H-3	Model ID 30010181	Drawing ID 20002500
Status Released	Revision -		ECN Number -	Neutrik Group	