



ASSEMBLY INSTRUCTION

speakON® Chassis Connector

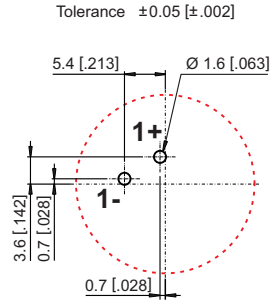
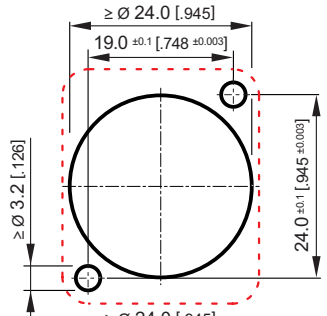
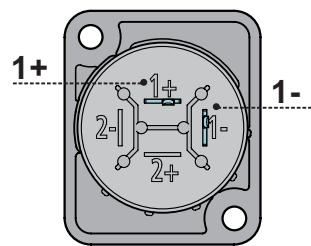
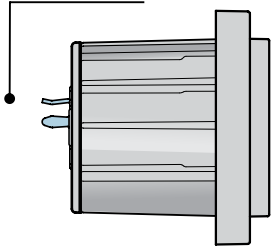
NL2MDXX-V & NL2MDXX-V-3 & NL2MDXX-H-3

! ATTENTION: speakON is NOT to be used as a mains or power supply connector!

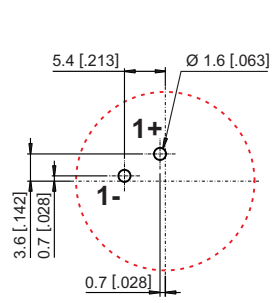
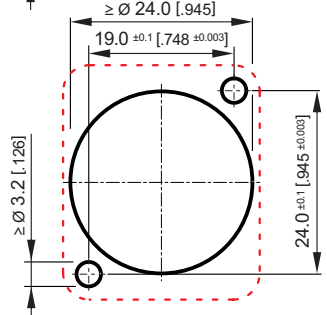
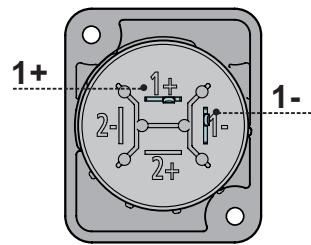
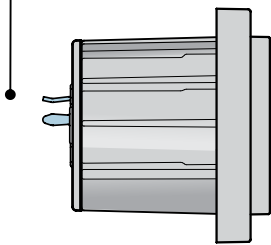
A ASSEMBLY INFORMATION

- 1 CONNECTION**
- 2 WIRING**
- 3 PANEL CUTOUT (Rear Side)**
- 4 PCB Layout (Component Side)**

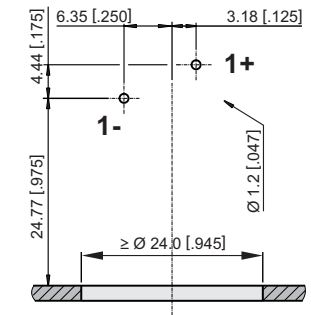
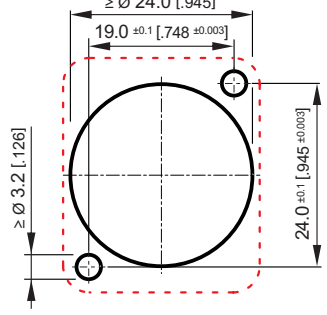
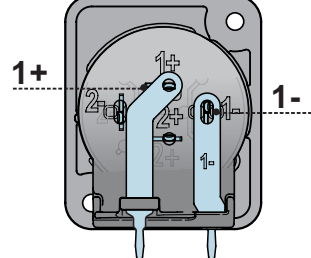
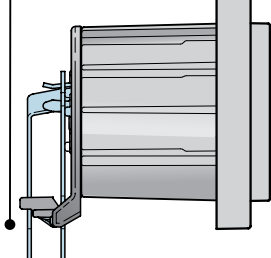
NL2MDXX-V Verticale PCB



NL2MDXX-V-3 Verticale PCB



NL2MDXX-H-3 Horizontale PCB



! MOUNTING

! ATTENTION
Maximum allowable torque M_A

(screws not included)	Rear assembly	Front assembly
NL2MDXX-V Countersunk thru holes for countersunk machine screws (e.g.: M3, 4-40)	90 Ncm	60 Ncm
NL2MDXX-V-3 Standard orientation self-tapping screw holes for Neutrik A-screw (rear mount only)	90 Ncm	-
NL2MDXX-H-3 Standard orientation self-tapping screw holes for Neutrik A-screw (rear mount only)	90 Ncm	-

B More Information on the www.neutrik.com

<https://www.neutrik.com/products/audio/speakon>



Draft. Nr.: BDA 593 V2
Update: 2023-10-06
Neutrik AG | LI-9494 Schaan
www.neutrik.com

Data subject to change without prior notice. © 2023 NEUTRIK®. NEUTRIK® are registered trademark of Neutrik AG. ALL RIGHTS RESERVED.

