



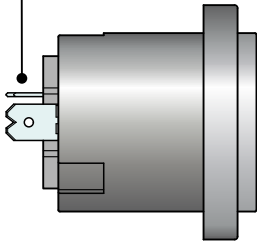
# ASSEMBLY INSTRUCTION

## speakON® Chassis Connector

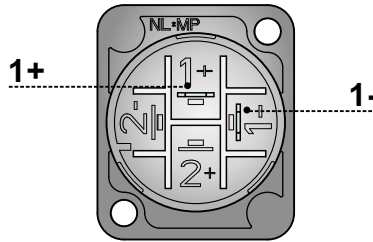
### NL2MP & NL4MP & NL8MPR

#### NL2MP

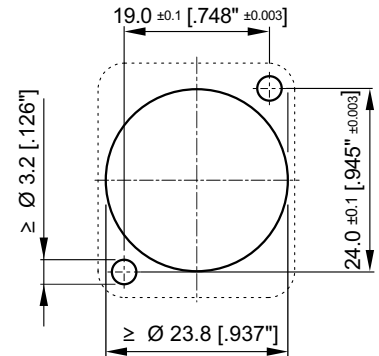
Flat tabs for 3/16" FASTON®  
4.8 mm x 0.5 mm [0.187" x 0.020"]



#### WIRING

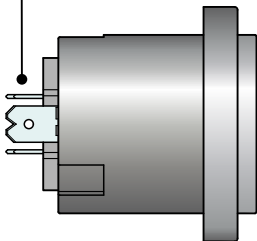


#### Panel Cutout (Rear Side)

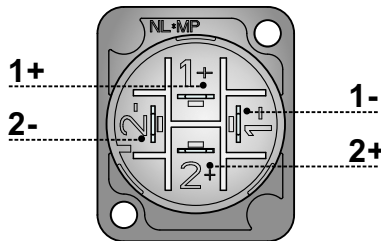


#### NL4MP

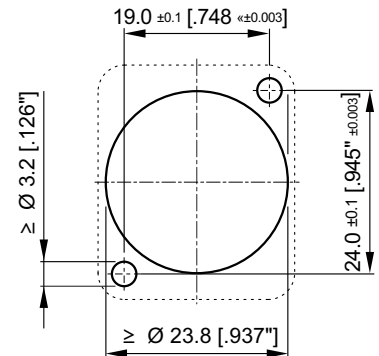
Flat tabs for 3/16" FASTON®  
4.8 mm x 0.5 mm [0.187" x 0.020"]



#### WIRING

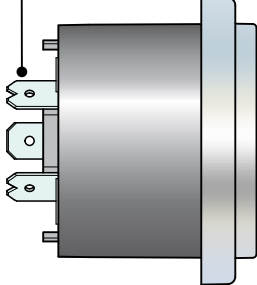


#### Panel Cutout (Rear Side)

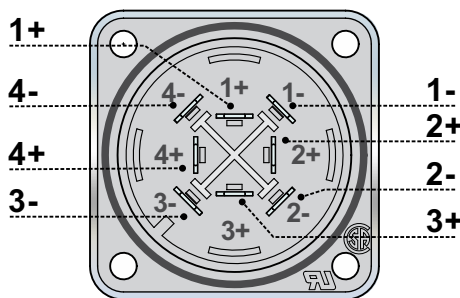


#### NL8MPR

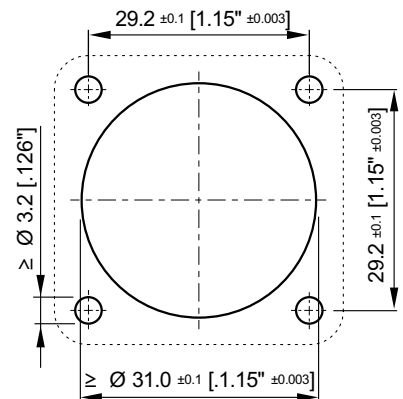
Flat tabs for 3/16" FASTON®  
4.8 mm x 0.5 mm [0.187" x 0.020"]



#### WIRING



#### Panel Cutout



- **ATTENTION:**  
speakON® is NOT to be used as an AC mains or power supply connector!
- **RECOMMENDATION:**  
Fastening torque max. 40 Ncm!



Find more details  
of speakON on  
[www.neutrik.com](http://www.neutrik.com).

NEUTRIK AG	LI	T: +423 / 237 24 24	F: +423/232 53 93	NEUTRIK France	FR	T: +33 1/4131 6750	F: +33 1/4131 0511
NEUTRIK USA Inc.	USA	T: +1 704 / 972 3050	F: +1 704/438 9202	NEUTRIK Tokyo Ltd.	JP	T: +81 3/3663 4733	F: +81 3/3663 4796
NEUTRIK (UK) Ltd.	UK	T: +44 1983 / 811 441	F: +44 1983/811 439	NEUTRIK Hong Kong Ltd.	HK	T: +852/2687 6055	F: +852/2687 6052
NEUTRIK Vertriebs GmbH	DE/NL/AT/DK	T: +49 8131 / 280 890	F: +49 8131/280 830	NEUTRIK India Pvt. Ltd.	IND	T: +91/982 05 43 424	F: +91/22 26163 540

Draft. Nr.: BDA 458 V2 | Update: 2019-12-10 | Data subject to change without prior notice. ©2019 NEUTRIK®. ALL RIGHTS RESERVED. NEUTRIK® is a registered trademark.