

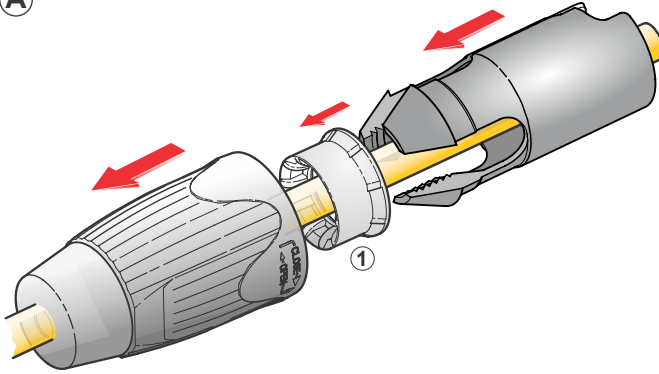


# ASSEMBLY INSTRUCTION

## speakON® STX Series | Lockable Loudspeaker Connector 8 pole Cable Connector with metal housing - NLT8MX

**Attention:** speakON® is not to be used as an AC mains or power supply connector!

**A**

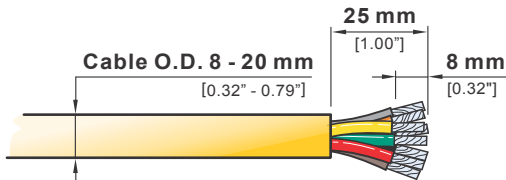


**A** Place bushing and chuck over the cable.

**If cable O.D.:**

**Less 16 mm please use reducing piece (1).**

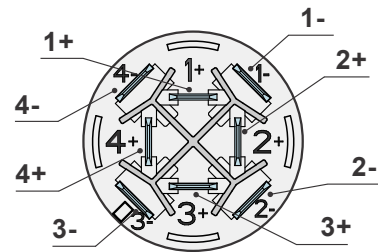
**B**



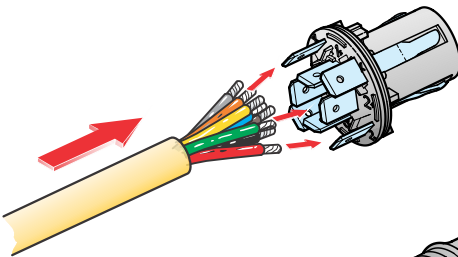
**B** Prepare cable as shown.

**C** Use 1/4" flat tabs or soldering to fix the wire ends to contacts of insert.

**Wiring:**



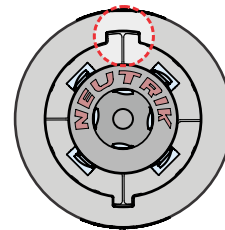
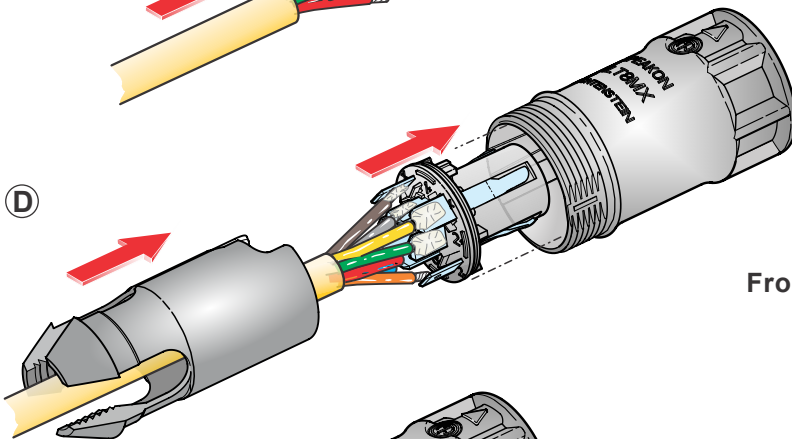
**C**



**D** Slide insert and chuck into housing.

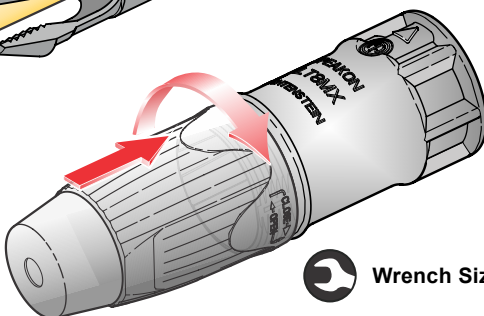
**Important:** Align the insert by positioning the Neutrik to the top of the housing.

**D**



Front view:

**E**



**E** Slide the bushing up the cable and tighten it (flat wrench SW 27 mm).



Wrench Size = 27

NEUTRIK AG LI T: +423/237 24 24 F: +423/232 53 93  
NEUTRIK USA Inc. USA T: +1 704/972 3050 F: +1 704/438 9202  
NEUTRIK (UK) Ltd. UK T: +44 1983/811 441 F: +44 1983/811 439  
NEUTRIK Vertriebs GmbH DE/NL/AT/DK T: +49 8131/280 890 F: +49 8131/280 830

NEUTRIK France FR T: +33 1/4131 6750 F: +33 1/4131 0511  
NEUTRIK Tokyo Ltd. JP T: +81 3/3663 4733 F: +81 3/3663 4796  
NEUTRIK Hong Kong Ltd. HK T: +852/2687 6055 F: +852/2687 6052  
NEUTRIK India Pvt. Ltd. IND T: +91/982 05 43 424 F: +91/22 26163 540

Draft. Nr.: BDA 334 | Update: 28.08.2017 | Data subject to change without prior notice. ©2017 NEUTRIK®. ALL RIGHTS RESERVED. NEUTRIK® is a registered trademark.

www.neutrik.com

**NEUTRIK®**