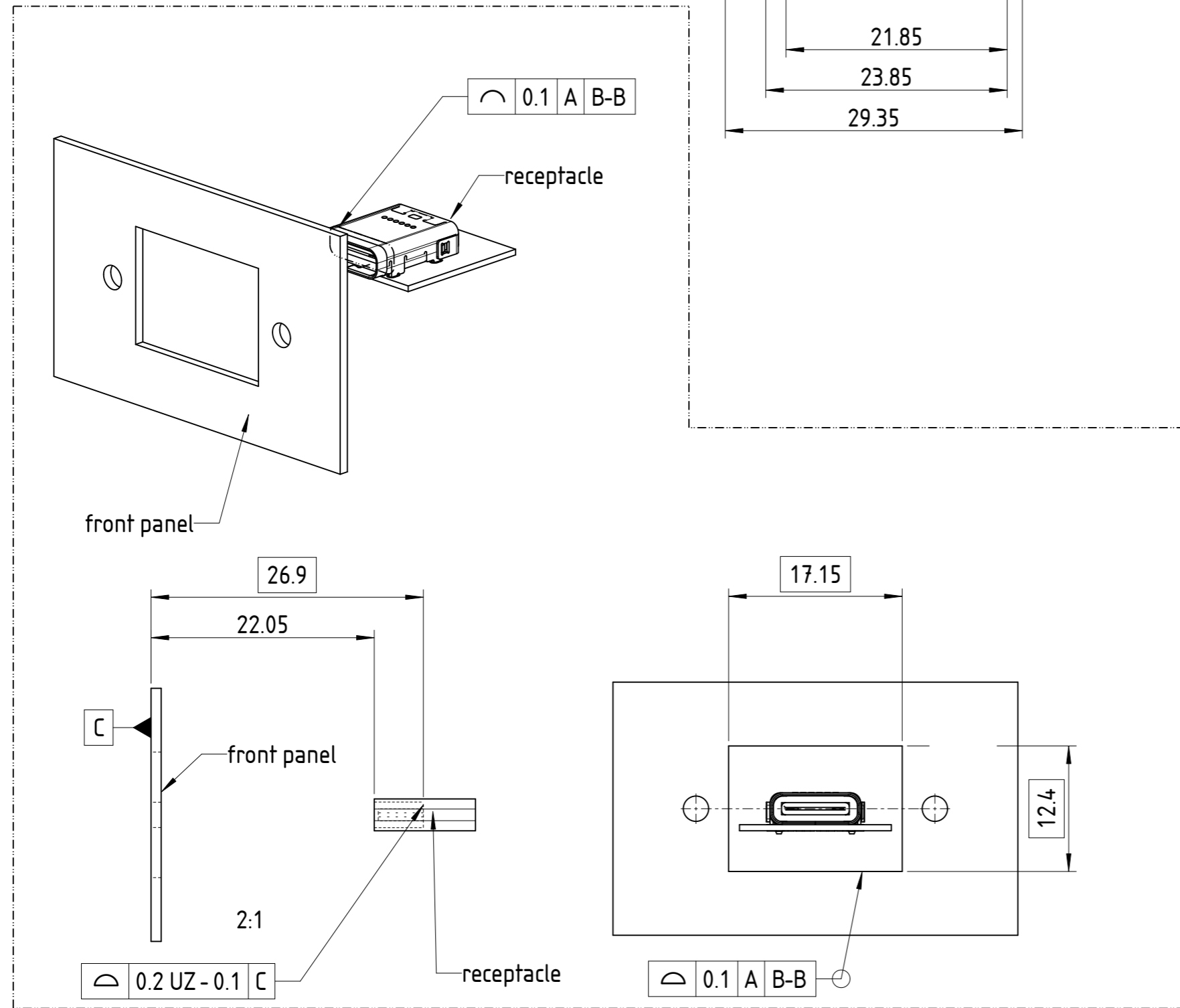
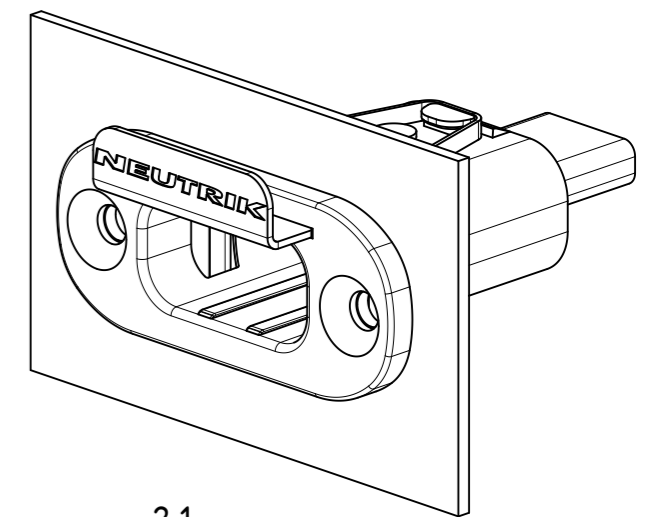
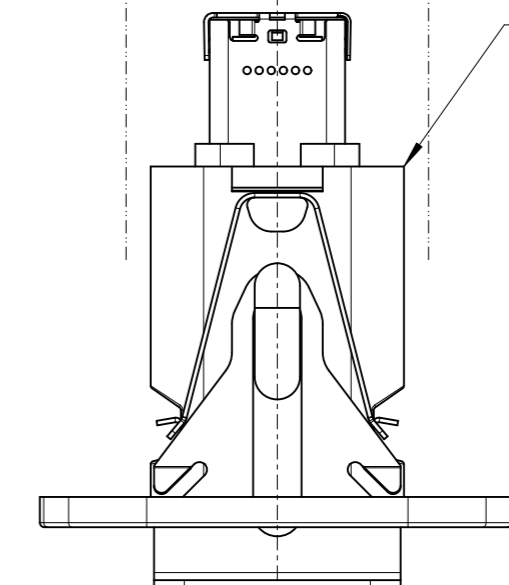
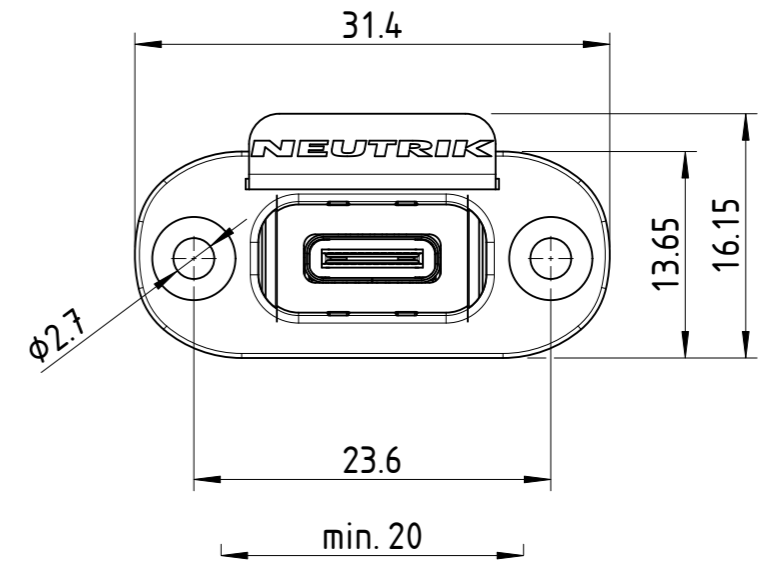
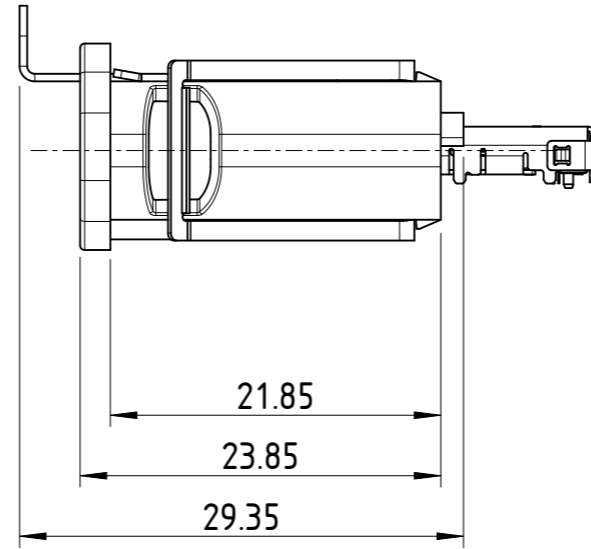
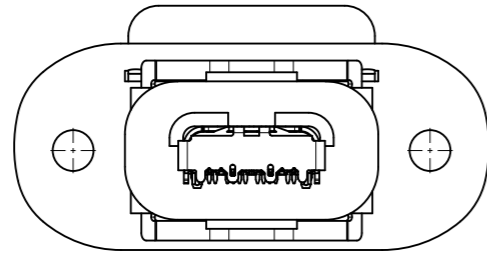
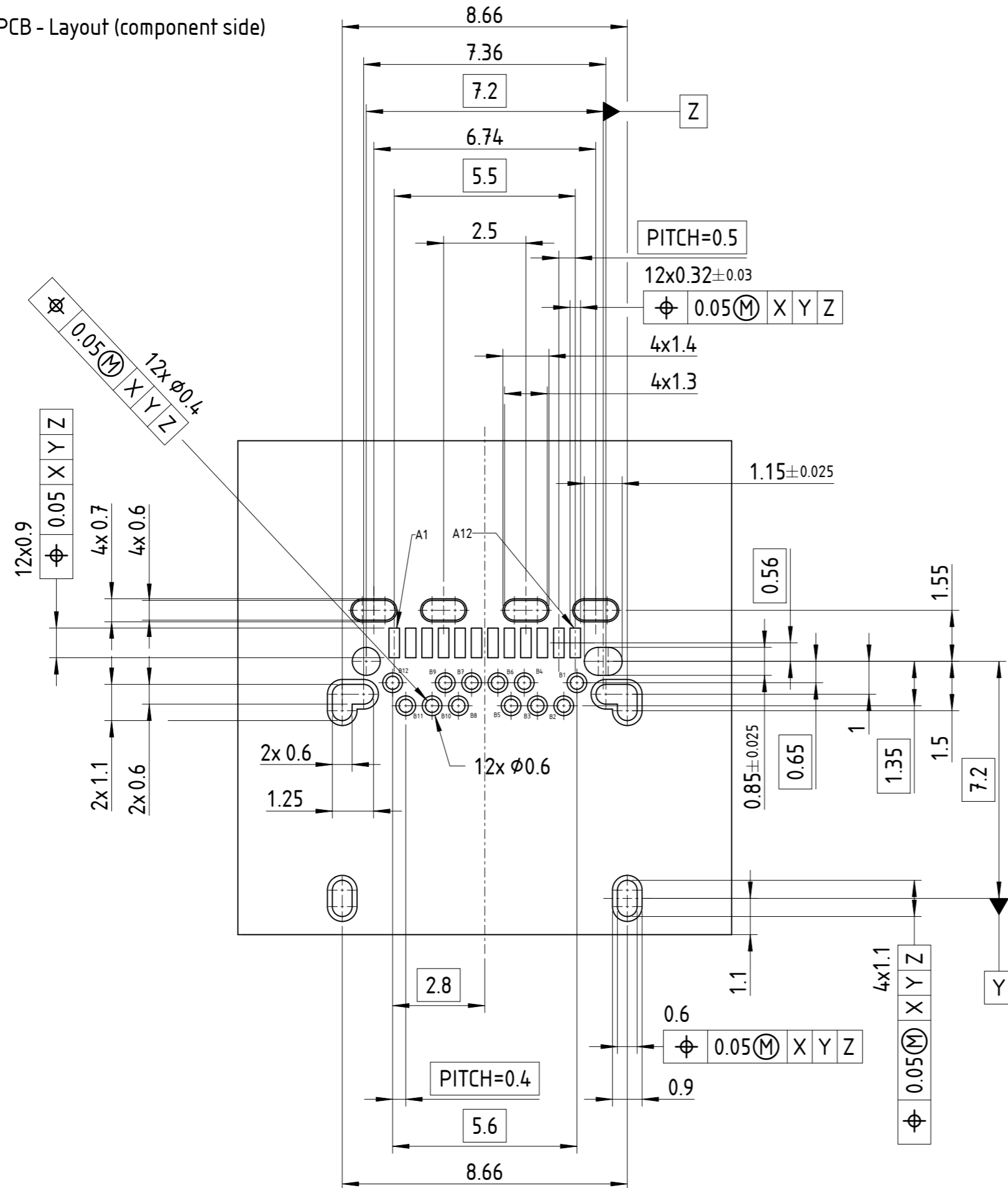


Sheet Number 1/3	Projection 	Scale 2:1	Format A3	General Tolerancing ISO 2768 mK	
Description			Created on/by	05.09.2018	Fritsch S.
ST-NMC-C-HR			Approved on/by	18.04.2023	Schuster R.
			Article ID	Model ID	Drawing ID
				NMC-C-HR	20001220
Status	Revision		ECN Number		Neutrik Group
Released					

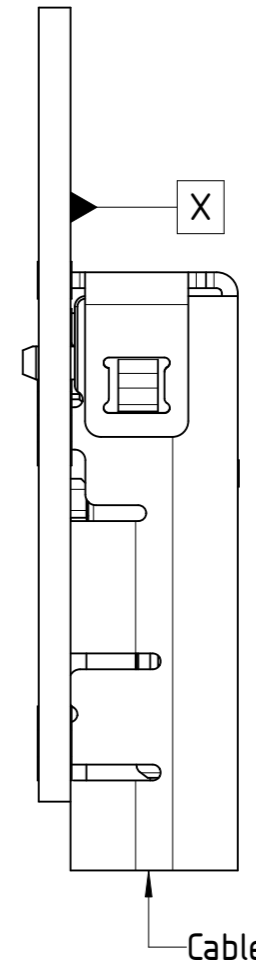


Sheet Number 2/3	Projection 	Scale 1:1	Format A3	General Tolerancing ISO 2768 mK	
Description			Created on/by	05.09.2018	Fritsch S.
ST-NMC-C-HR			Approved on/by	18.04.2023	Schuster R.
			Article ID	Model ID	Drawing ID
				ST-NMC-C-HR	20001220
Status	Revision		ECN Number		Neutrik Group
Released	-		-		

PCB - Layout (component side)



Pin	Signal Name	Mating Sequence	Pin	Signal Name	Mating Sequence
A1	GND	First	B12	GND	First
A2	SSTXp1	Second	B11	SSRXp1	Second
A3	SSTXn1	Second	B10	SSRXn1	Second
A4	V _{Bus}	First	B9	V _{Bus}	First
A5	CC1	Second	B8	SBU2	Second
A6	Dp1	Second	B7	Dn2	Second
A7	Dn1	Second	B6	Dp2	Second
A8	SBU1	Second	B5	CC2	Second
A9	V _{Bus}	First	B4	V _{Bus}	First
A10	SSRXn2	Second	B3	SSTXn2	Second
A11	SSRXp2	Second	B2	SSTXp2	Second
A12	GND	First	B1	GND	First
	Shell	GND		Shell	GND



Sheet Number	Projection	Scale	Format	General Tolerancing	
3/3		7:1	A3	ISO 2768 mK	
Description			Created on/by	05.09.2018	Fritsch S.
ST-NMC-C-HR			Approved on/by	18.04.2023	Schuster R.
			Article ID	Model ID	Drawing ID
				NMC-C-HR	20001220
Status	Revision		ECN Number		Neutrik Group
Released	-		-		